

SERIF™ LIFT 1045 & 1046

LAPTOP TABLE

USER MANUAL

LET'S GET STARTED.



DESIGN JEFF BARE

BDi

BDIUSA.COM

Congratulations on the purchase of your Serif Lift Laptop Table from BDI. Your lift laptop table has been designed to provide a lifetime of enjoyment. This manual will provide you with assembly instructions and other helpful information to ensure that you get the most out of your product. Please save it for future reference.

Your Serif has been engineered for simple assembly. Please follow these directions carefully to prevent any damage.

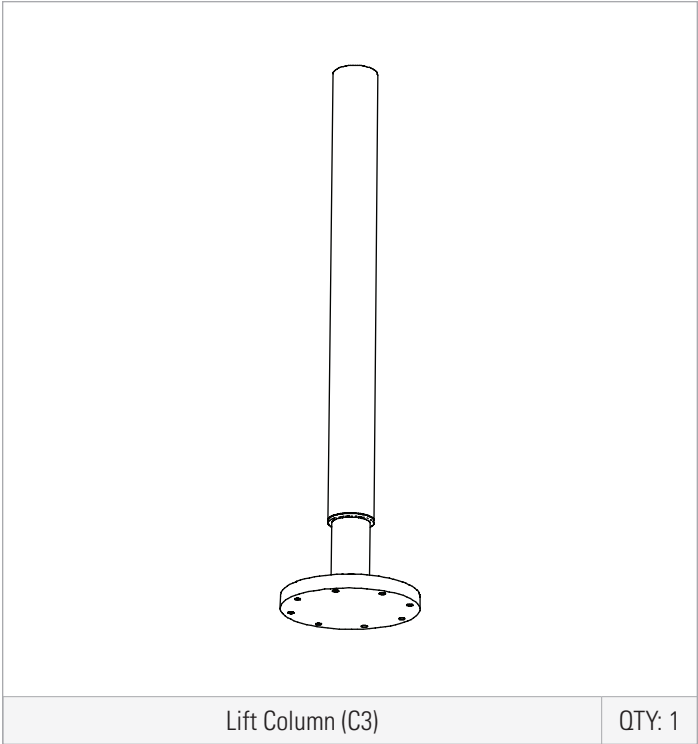
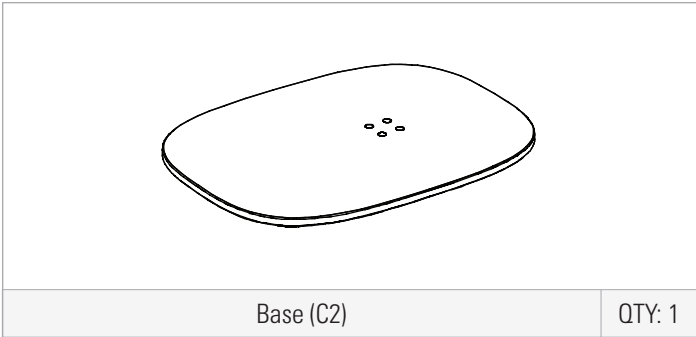
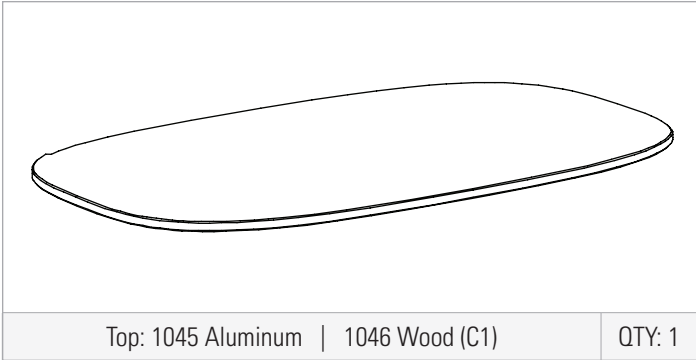
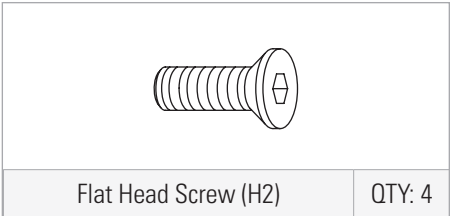
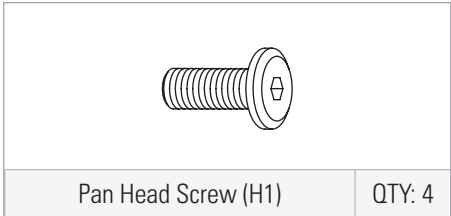
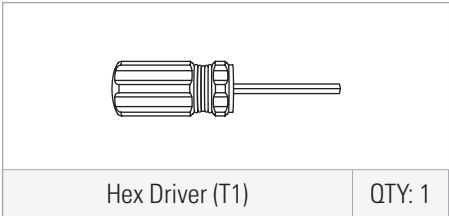
Should you need further assistance, contact BDI at customerservice@bdiusa.com.

ENJOY!

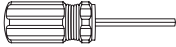
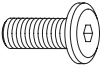
HARDWARE AND COMPONENTS

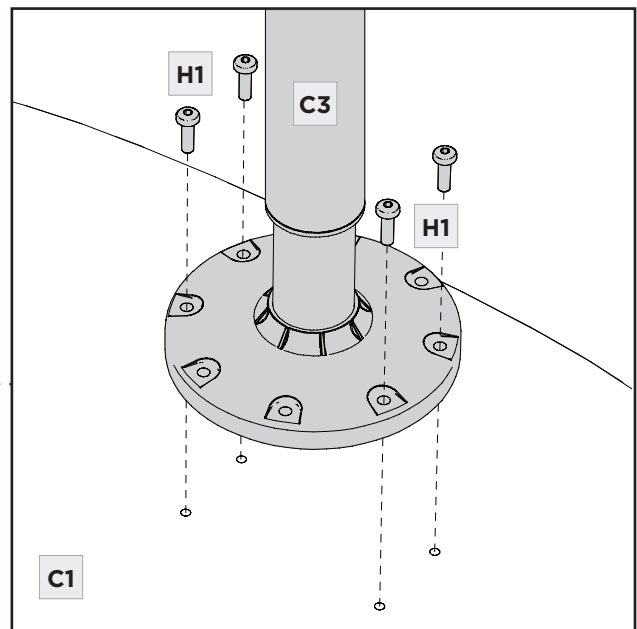
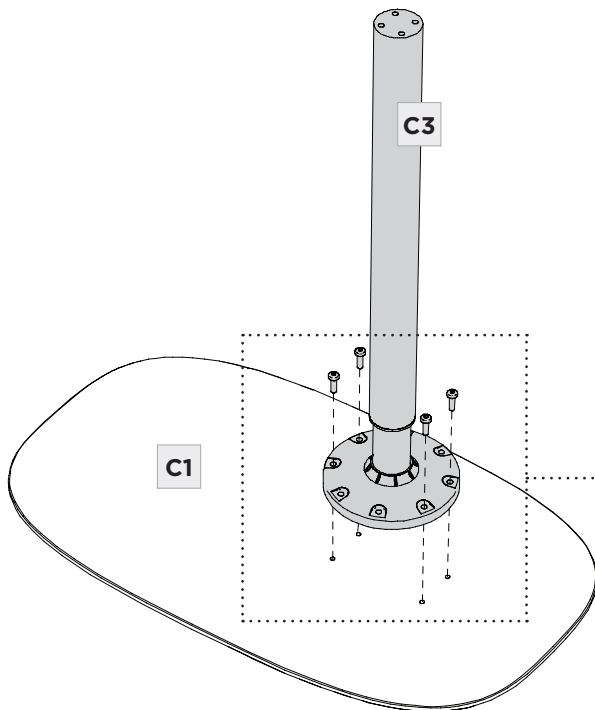
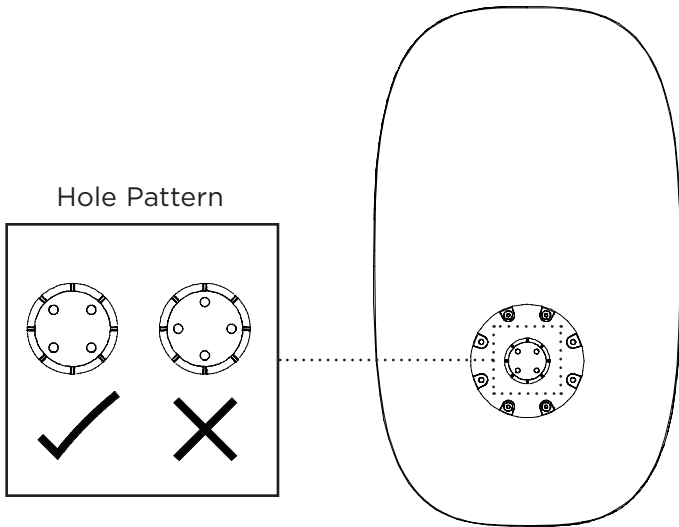
Unpack and identify the parts listed below. The assembly workspace should be a non-marring surface, such as carpet. For missing hardware pieces, please contact BDI Customer Service at **customerservice@bdiusa.com**. For all other concerns, please contact your BDI retailer.

Do not use power tools for the assembly of this product.



Place **(C1) Top** upside down on a padded surface, such as a carpet. Position **(C3) Lift Column** as shown **noting correct hole pattern**. Attach **(C3) Lift Column** to the bottom of **(C1) Top** using **(H1) Pan Head Screws** and **(T1) Hex Driver**.

	PART/DESCRIPTION	QTY
	T1-HEX DRIVER	1
	H1-SCREW	4

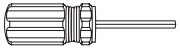
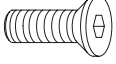


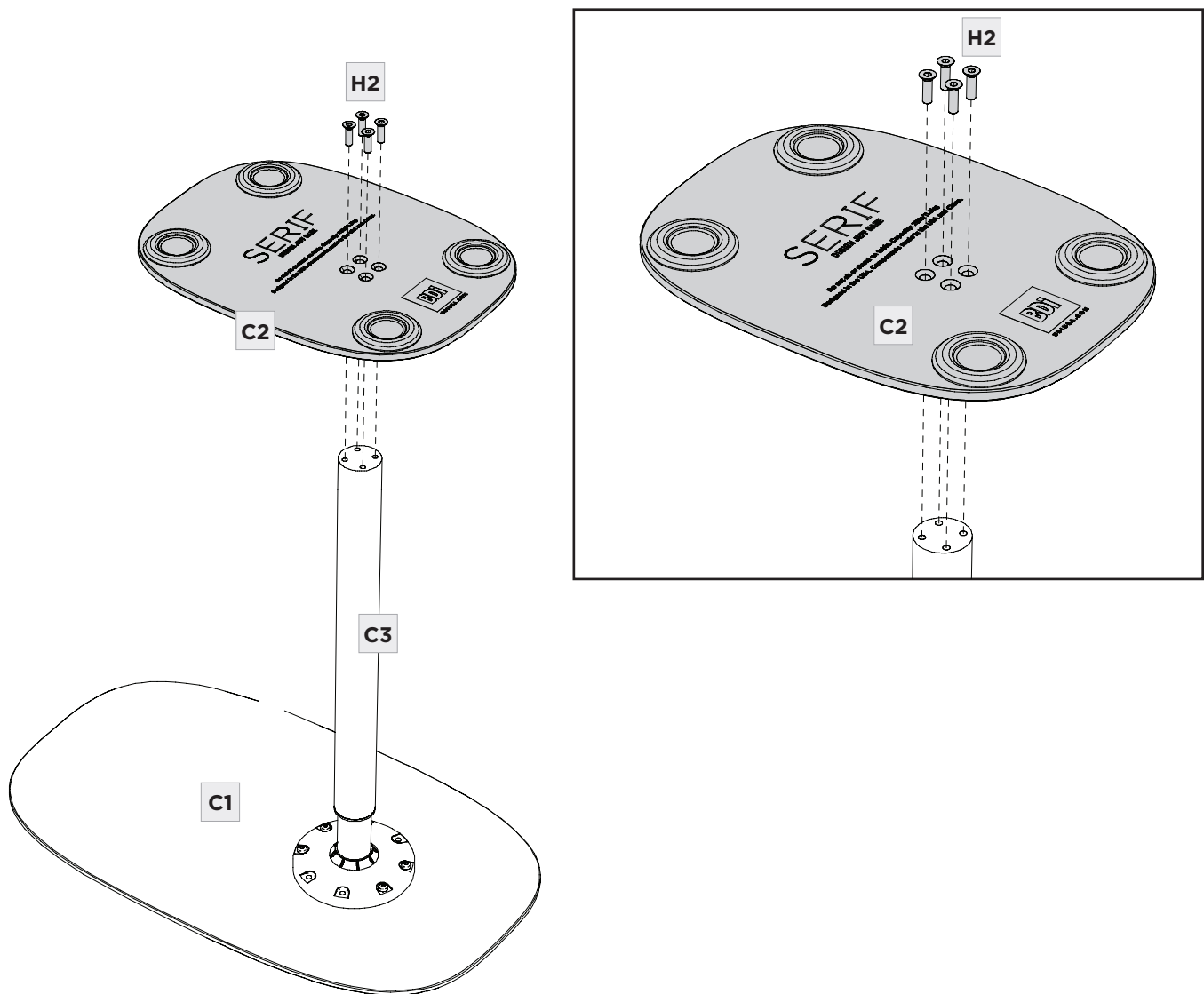
STEP 2. ATTACH BASE

ASSEMBLY

Attach **(C2) Base** using **(H2) Flat Head Screws** going into the countersunk holes and into the bottom of **(C3) Lift Column**.

Tighten with **(T1) Hex Driver**.

	PART/DESCRIPTION	QTY
	T1-HEX DRIVER	1
	H2-SCREW	4

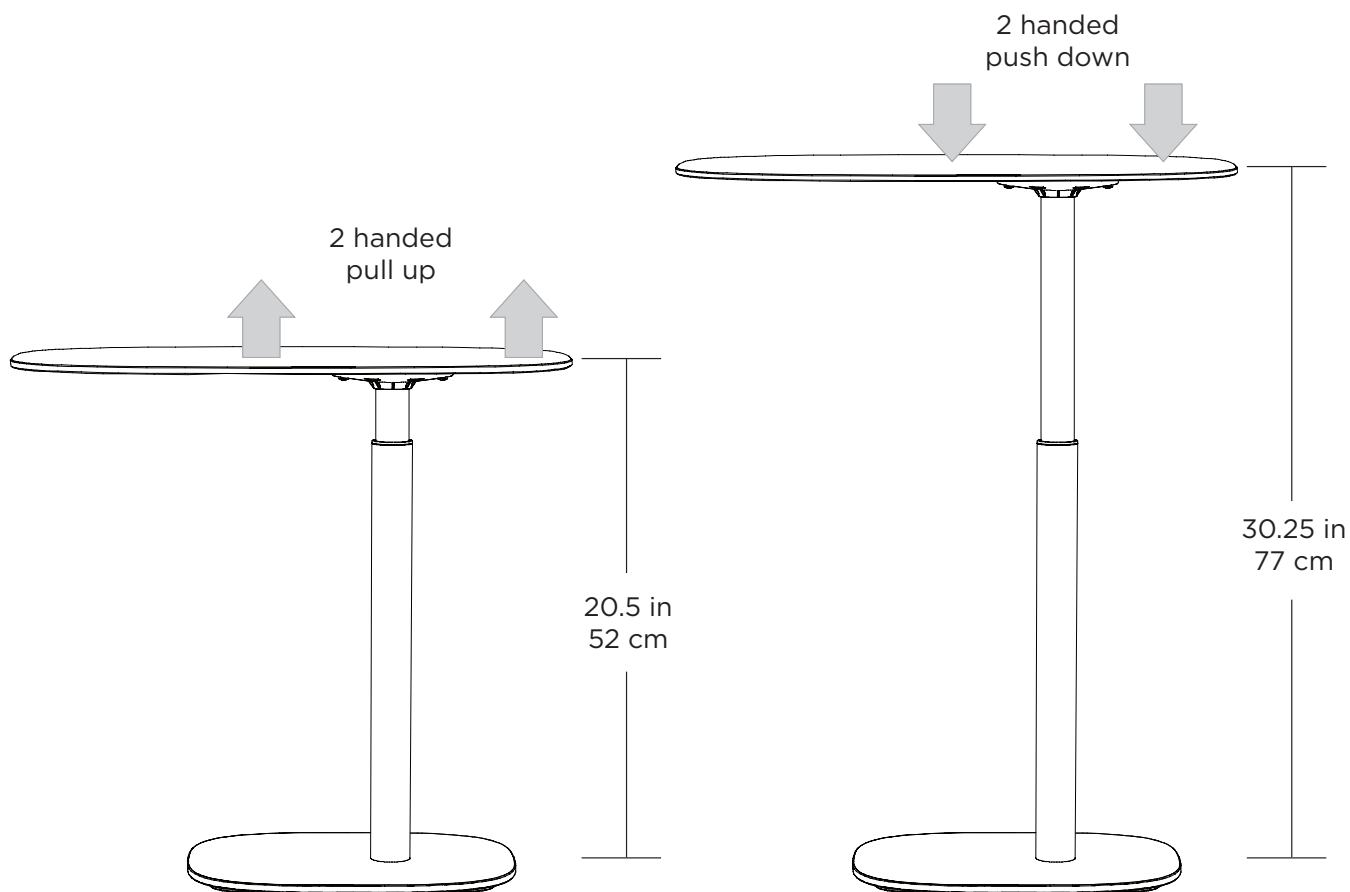


OPERATION

Serif is a uniquely adjustable table that takes your work surface to new heights. Adjusting easily on its pneumatic cylinder with the simple downward push or an upward pull, this table is equally at home towering over the arm of a sofa as it is nestled neatly in your lap. Whether used for a laptop or simply snacking by the TV, Serif's slim base glides neatly under a sofa or chair, putting the table surface close at hand.

Weight limit: 25 lbs

DO NOT sit or stand on table.



Your BDI furniture has been constructed with the finest materials, carefully manufactured, and designed to last a lifetime. Regular furniture care will prolong your enjoyment and keep it looking its best. Here are some general tips for taking care of BDI furniture. Your surfaces may vary.

GLASS

Glass surfaces are maintained using household glass cleaner and a paper towel or cloth.

SATIN-ETCHED GLASS

This uniquely smooth-to-the-touch glass surface can be regularly maintained using household glass cleaner and a paper towel or cloth.

A 'Magic Eraser' removes minor scratches or scuffs not eliminated using a paper towel or cloth. 'Magic Eraser' is a melamine foam product available at any grocery store or home improvement center. Dampen the entire glass surface and the Magic Eraser, then rub the whole surface in broad, even strokes using moderate pressure. Clean and dry the surface with a paper towel. Check for results and repeat as necessary. Any scratches or scuffing not eliminated by one of the above methods can often be addressed by 'refreshing' the glass. This process should not be required more than once per 6-12 months. See this brief video for the simple method: www.bdiusa.com/glass

WOOD

Wood surfaces should be cleaned with a slightly damp (not saturated) cloth or paper towel. Do not use glass cleaner on wood. If moisture remains, dry the surface with another cloth. If needed, a gentle, non-abrasive cleanser may be used, but wipe away all cleaner residue and dry the surface with a cloth.

BDI's wood finishes feature natural hardwood solids and veneers. Wood is a product of nature and—unlike man-made materials that can be manufactured to strict and consistent specifications—has natural imperfections that are part of its appeal and character. Every piece of wood differs from every other, even when coming from the very same tree. As such, grain, texture, and tone variation should be expected from one panel or piece of furniture to the next.

While BDI's stained wood finishes are stable in tone & appearance, all finishes are subject to some degree of discoloration with prolonged exposure to direct sunlight. Please avoid positioning your BDI cabinet in any area with ample direct sunlight. To learn more about the features of natural wood, visit www.bdiusa.com/wood

METAL, PORCELAIN, & PAINTED SURFACES

Surfaces should be cleaned with a slightly damp (not saturated) cloth or paper towel. If moisture remains, dry the surface with another cloth. If needed, a gentle, non-abrasive cleanser may be used, but be sure to wipe away all cleaner residue and dry the surface with a cloth.

Serif is designed for indoor use only.

WARRANTY

BDI warrants to the original purchaser that for the below-stated warranty term, BDI will replace any product, part, or component covered by this warranty that fails under normal use as a result of a defect in material or workmanship. The decision to replace a complete product versus the part or component in question will be at BDI's sole discretion.

Residential Use: BDI Furnishings carry warranty coverage for three (3) years from the date of product delivery, as shown on your sales receipt/documentation. Select chairs carry coverage for five (5) years from the date of product delivery.

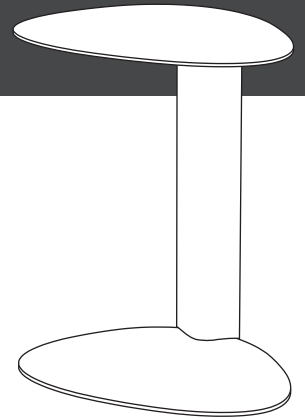
Commercial Use: BDI Furnishings carry warranty coverage for one (1) year from the date of product delivery, as shown on your sales receipt/documentation. Select chairs carry coverage for five (5) years from the date of the product delivery, based on an 8-hour daily use pattern.

BDI reserves the right to refine or update its warranty from time to time. See the complete and latest warranty document at www.bdiusa.com/warranty.

PRODUCT REGISTRATION

Registering your new BDI product allows us to send you important product updates, service information, and helpful hints related to your BDI products.

Register today, and you will be **entered to win free a BINK table** from BDI: www.bdiusa.com/register



CAUTION

- **DO NOT** sit on the top
- **DO NOT** stand on the top
- **ALWAYS** remove objects from the table top before moving



These distinctive product configurations are protected by US and international patents, trade dress, and/or copyright laws. Serif & BDI are trademarks of Becker Designed, Inc. All rights reserved. ©2024, BDI | V.10.09.2024

Made in China.