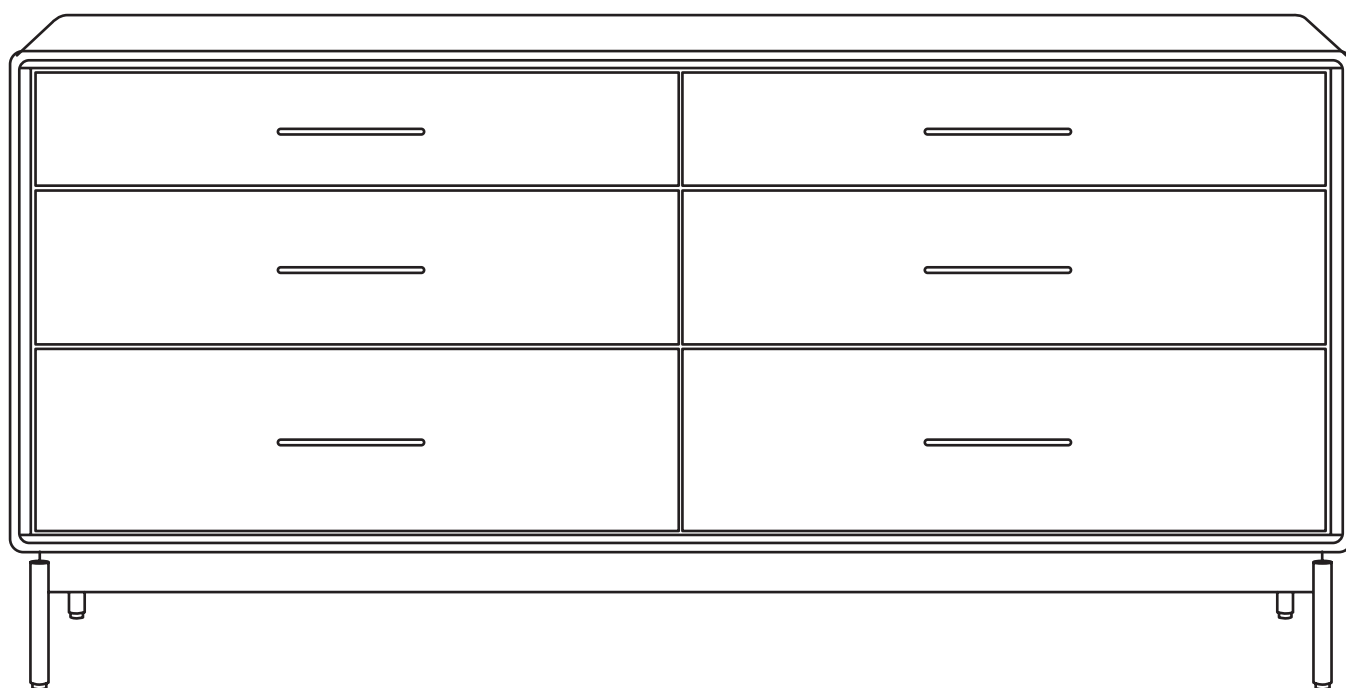


# LINQ™ 9186

DRESSER

## USER MANUAL

**LET'S GET STARTED.**



DESIGNED BY MATTHEW WEATHERLY

**BDi**

BDIUSA.COM

Congratulations on the purchase of your LINQ dresser from BDI. Your dresser has been designed to provide a lifetime of enjoyment. This manual will provide assembly instructions and other helpful information to ensure you get the most out of your product. Please save it for future reference.

Your LINQ has been engineered for simple assembly. Please follow these directions carefully to prevent any damage.

Should you need further assistance, contact BDI at [customerservice@bdiusa.com](mailto:customerservice@bdiusa.com).

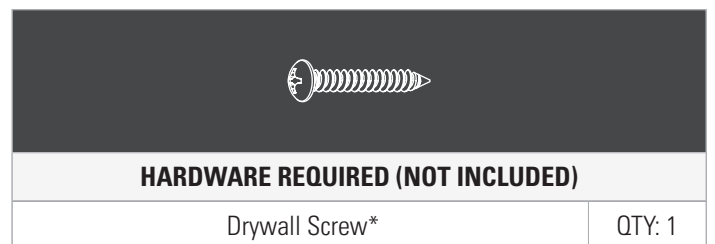
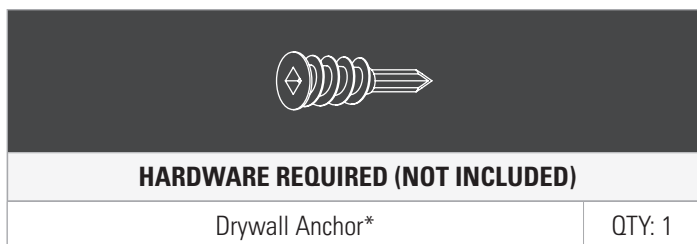
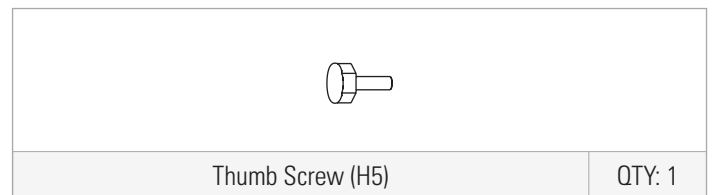
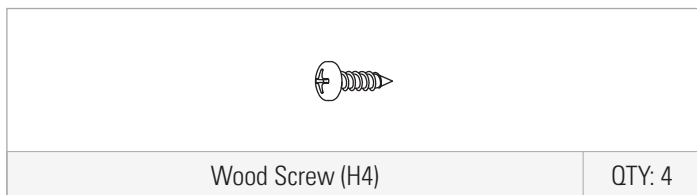
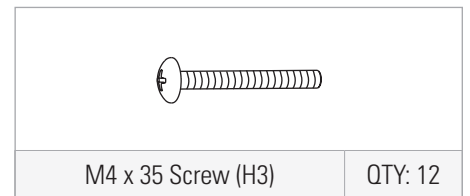
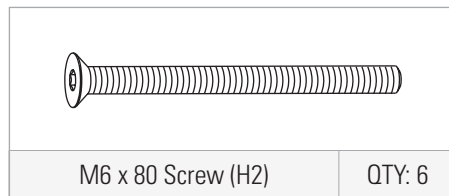
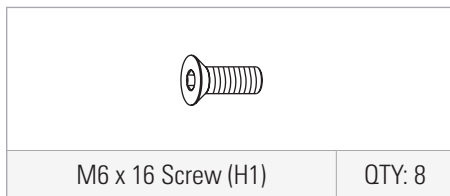
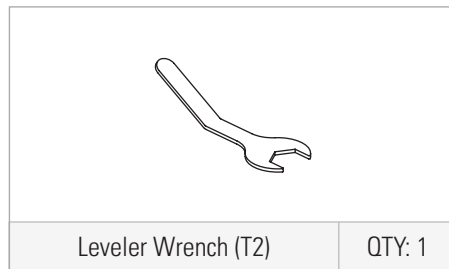
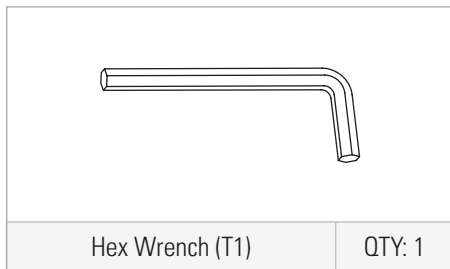
ENJOY!



## HARDWARE AND COMPONENTS

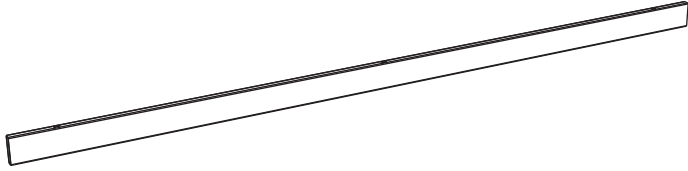
Unpack and identify the parts listed below. The assembly workspace should be a non-marring surface, such as carpet. For missing hardware pieces, please contact BDI Customer Service at [customerservice@bdiusa.com](mailto:customerservice@bdiusa.com). For all other concerns, please contact your BDI retailer.

Do not use power tools for the assembly of this product.



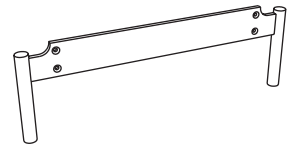
\*Use appropriate wall anchor and screw.

# HARDWARE AND COMPONENTS



Spanner (C1)

QTY: 2



Leg (C2)

QTY: 2



Cabinet (C3)

QTY: 1



Drawer Pull (C4)

QTY: 6



KLEET (C5)

QTY: 2



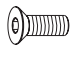
Anchor Strap (C6)

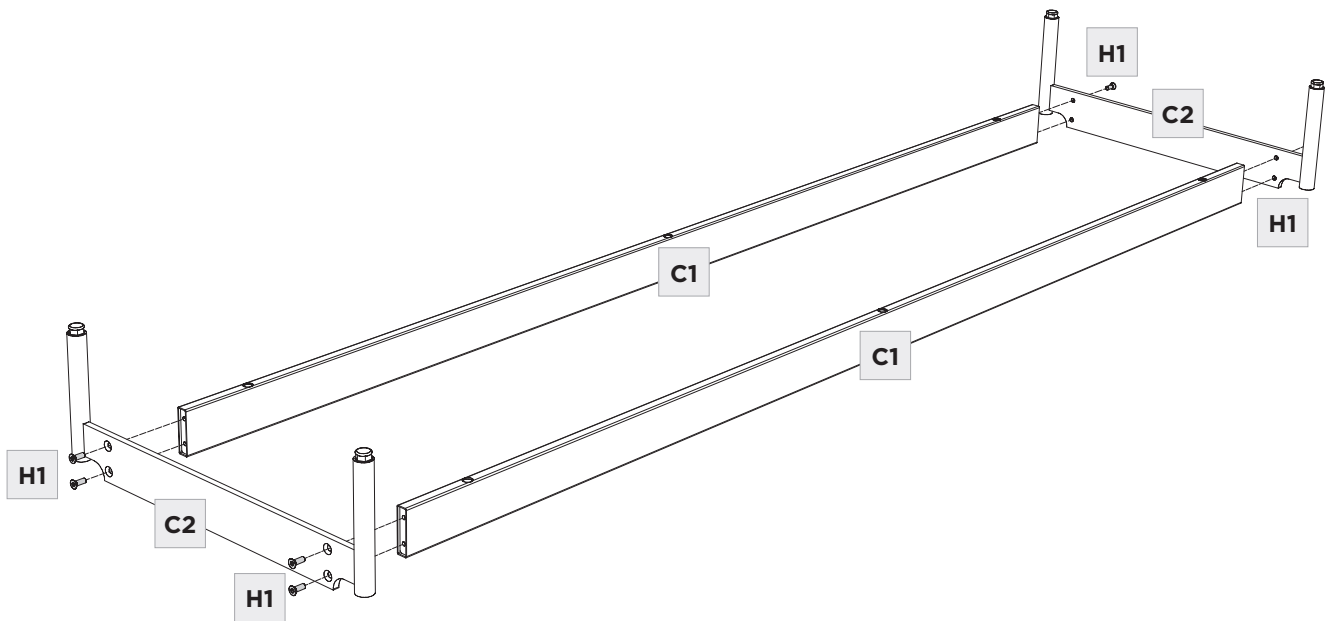
QTY: 1

## STEP 1. ASSEMBLE BASE

## ASSEMBLY

Lay the **Spanners (C1)** on a soft, non-marring surface, like carpet. Attach the **Legs (C2)** to the **Spanners (C1)** using **8 Screws (H1)** and **Hex Wrench (T1)**. **DO NOT** fully tighten the screws yet.

	HEX WRENCH – T1	QTY 1
	SCREW – H1	QTY 8



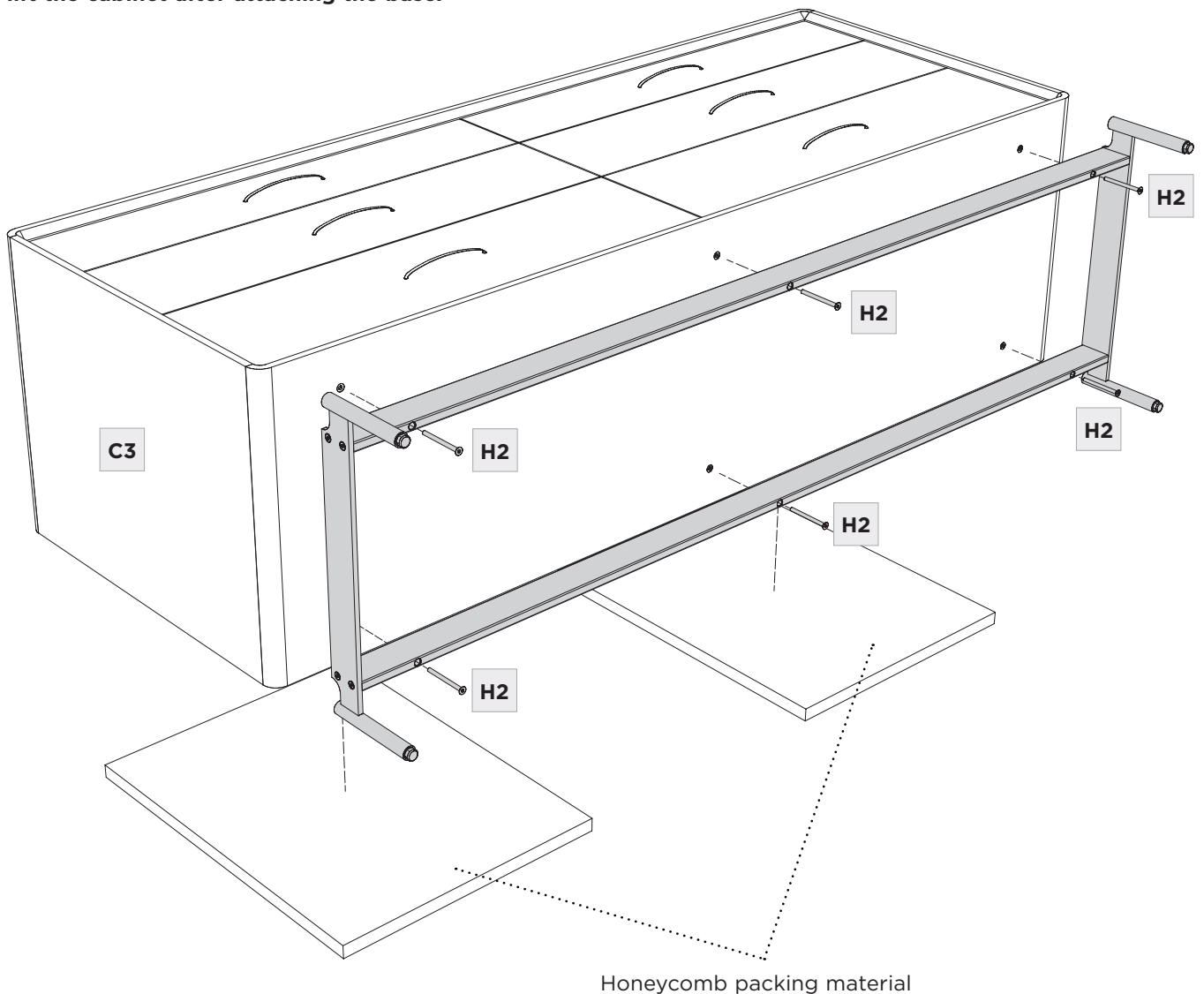


With help from another person, carefully position the **Cabinet (C3)** onto a layer of honeycomb packing material and orient it on its back as shown.

Position the **Base** as shown and attach with **6 Screws (H2)**. With all screws started, tighten with **Hex Wrench (T1)**.

**NOTE: The packing material creates finger space to lift the cabinet after attaching the base.**

	HEX WRENCH – T1	QTY 1
	SCREW – H2	QTY 6


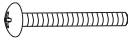


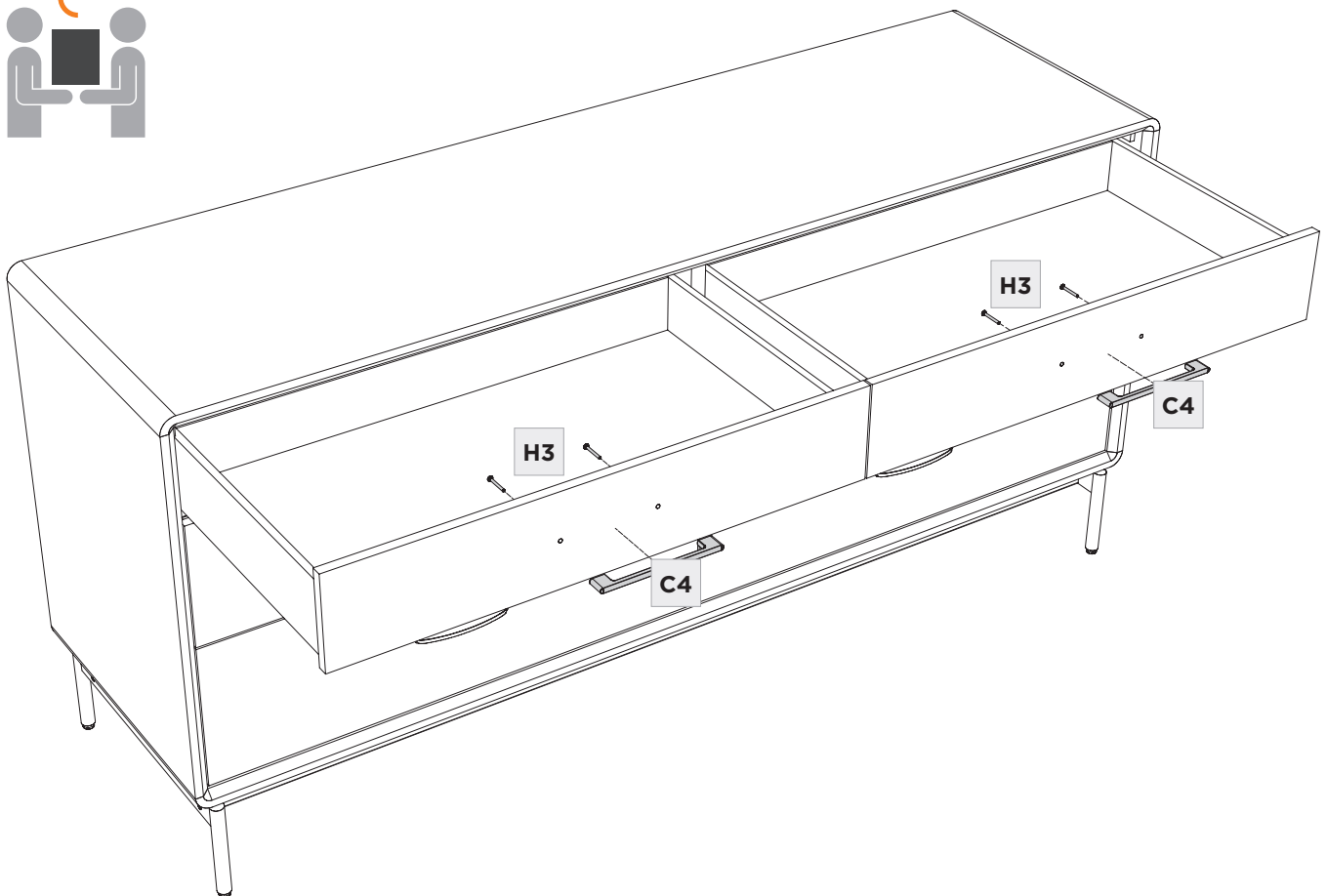
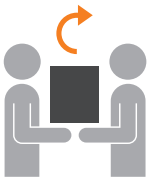
### STEP 3. ATTACH DRAWER PULLS

### ASSEMBLY

With the help of another person, carefully turn the Dresser onto its feet. **One row at a time**, open the drawers, cut the ribbon off the drawer, and install the **6 Drawer Pulls (C4)** using **12 Screws (H3)**. Tighten with **Phillips Head Screwdriver (not included)**.

**NOTE: Drawers have an interlocking mechanism to prevent multiple drawers in a single column from being opened simultaneously. This greatly reduces the risk of tip over.**



	<b>NOT INCLUDED</b> PHILLIPS SCREWDRIVER	QTY 1
	SCREW – H3	QTY 12

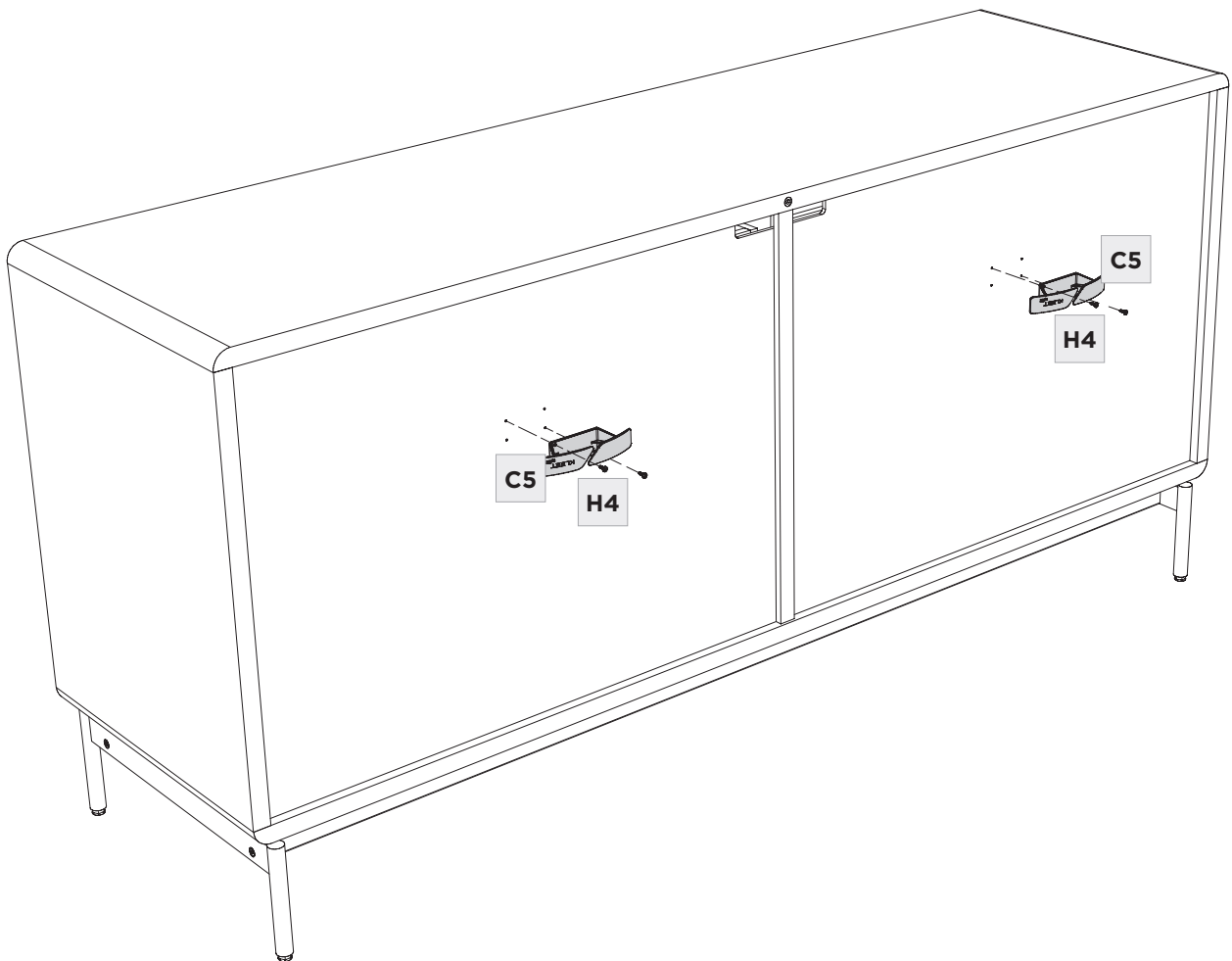


## ASSEMBLY

### STEP 4. INSTALL KLEETS

Install the **KLEETS (C5)** to the back of the **Cabinet** using **4 Wood Screws (H4)**. Tighten with **Phillips Head Screwdriver (not included)**.

	<b>NOT INCLUDED</b> PHILLIPS SCREWDRIVER	QTY 1
	SCREW – H4	QTY 4



## STEP 5. INSTALL ANCHOR STRAP & SECURE CABINET

2 PERSON TASK







## ASSEMBLY

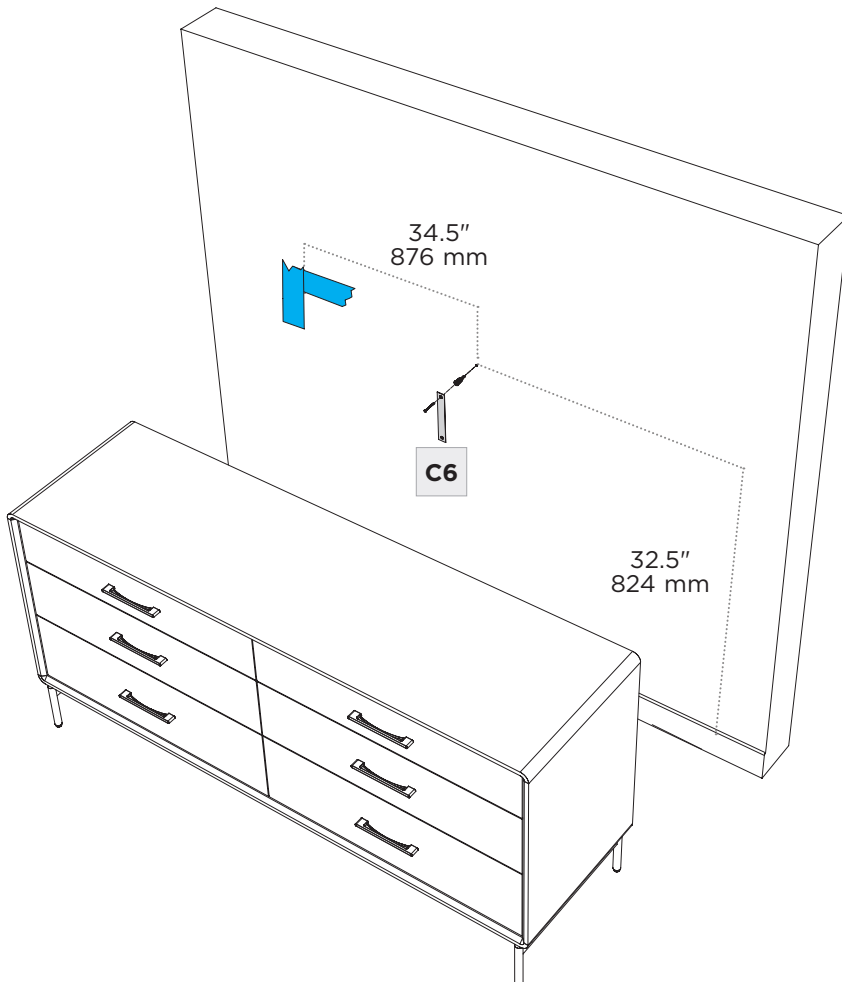
With help from another person, carefully walk the cabinet into the desired position against the wall.

It is strongly recommended that you anchor your LINQ Dresser to the wall using the provided **Anchor Strap (C6)**. Use painter's tape to mark the upper left corner of the unit, as shown.

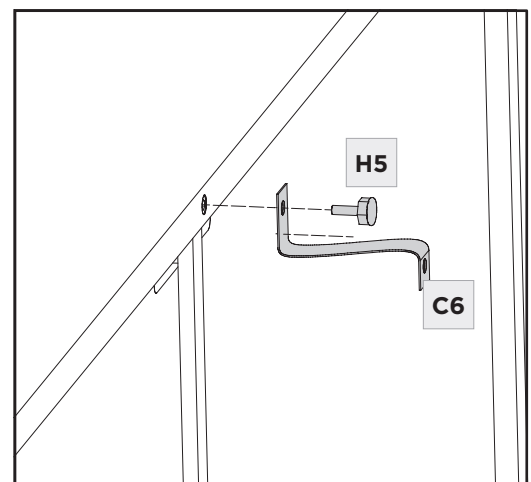
With help from another person, carefully move the cabinet away from the wall. Measure and mark the wall as shown.

Attach one end of the **Anchor Strap (C6)** to the wall at the marked location with an **appropriate wall anchor and screw (not included)**.

	<b>NOT INCLUDED</b> PHILLIPS SCREWDRIVER	QTY 1
	<b>NOT INCLUDED</b> WALL ANCHOR	QTY 1
	<b>NOT INCLUDED</b> SCREW	QTY 1
	THUMB SCREW – H5	QTY 1

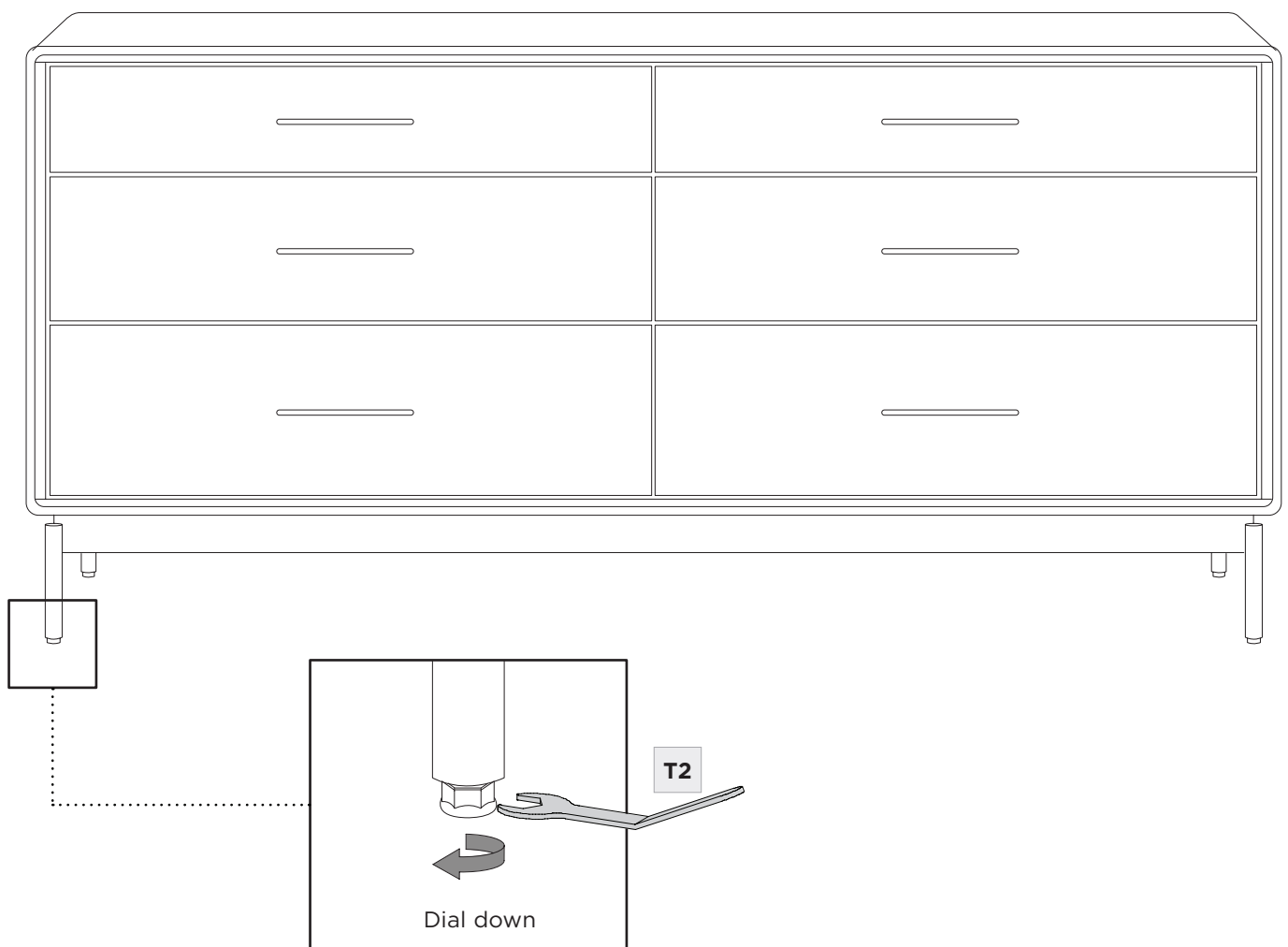


Carefully move your Dresser close to the wall and attach the loose end of the **Anchor Strap (C6)** to the back edge of the top panel with the **Thumb Screw (H5)**.



Once the unit is completely assembled and in its final position, adjust the levelers using **Leveler Wrench (T2)**. Using a level (not provided), level your cabinet first side to side and then front to back. If your cabinet is on carpeting, check your front to back level after loading the cabinet and opening the heaviest drawers. This will ensure the cabinet remains level during operation and reduce the risk of tip-over.

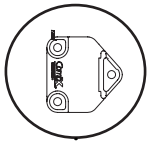
	<b>PART/DESCRIPTION</b>	<b>QTY</b>
	LEVELER WRENCH – T2	1



In order to make your Dresser easier to move, you may remove the drawers to reduce the weight of the unit. The Dresser is equipped with an anti-tip mechanism which prevents more than one drawer in either column from being opened at any given time. The following steps describe how to bypass this system to allow all drawers to be removed at once.

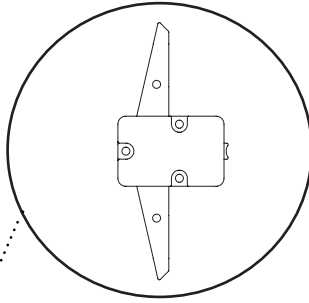
**NOTE: The same steps can be followed for each side of the Double Dresser to remove and install the drawers.**

This system consists of 2 main parts:



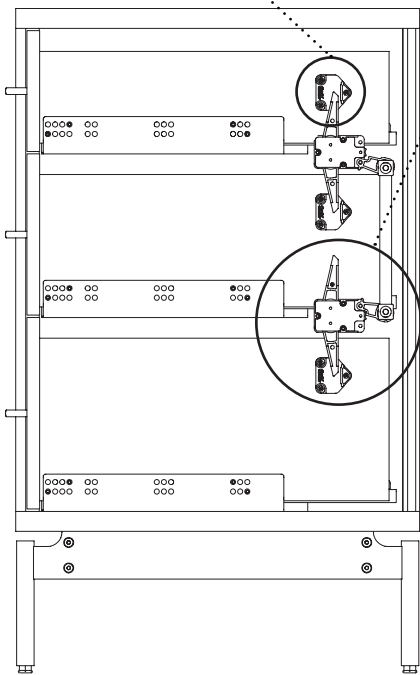
**DRAWER CLIP**

These are plastic pieces attached to the outer right side of each drawer.



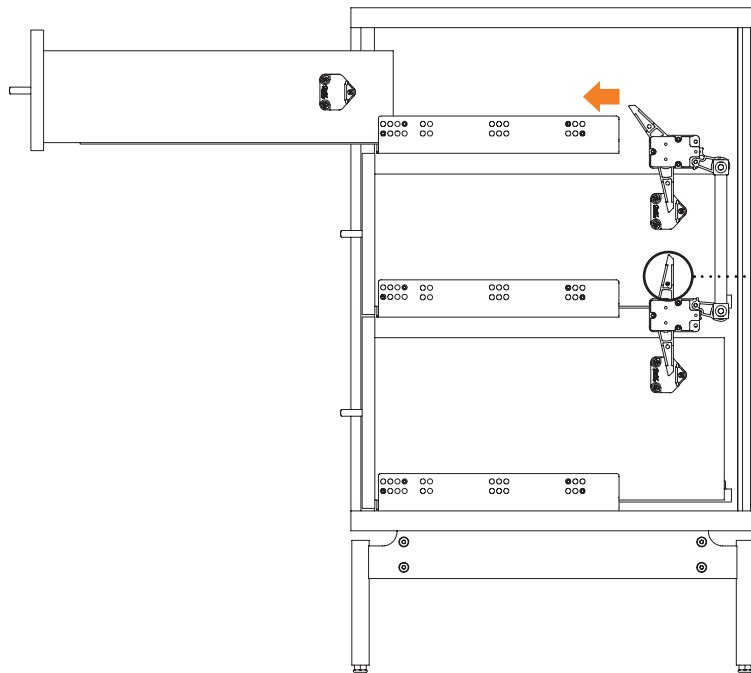
**SNAPPER**

These are switches attached to the inside of the Right Side Panel and the left side of the Center Divider Panel. They are activated by the Drawer Clips. When one drawer is opened, it activates the corresponding Wing on a Snapper, which prevents any other drawer in the same column from opening.



**ALL DRAWERS CLOSED**

When all drawers are closed, all Snappers have their wings aligned vertically.



This wing is not used, and should always be in the vertical position.

**DRAWER OPEN**

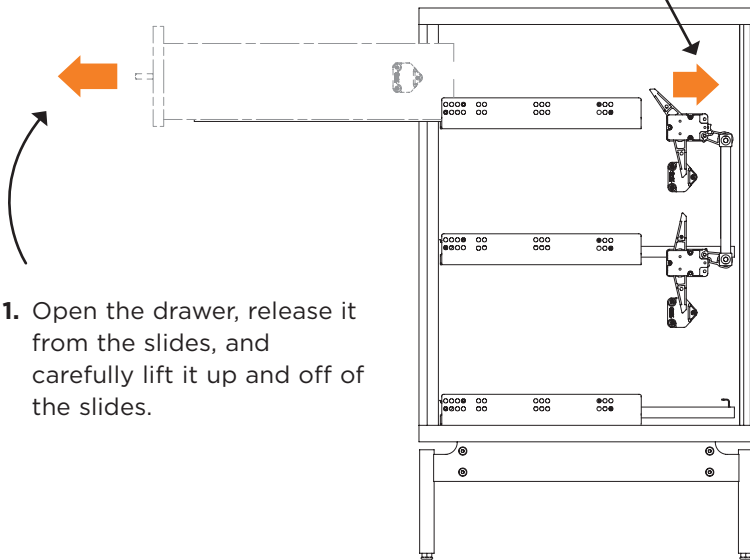
When a drawer is opened, the corresponding Snapper Wing is pushed forward. As long as any Snapper Wing is in the forward position, no other drawers can be opened.

**NOTE: There is one inactive Snapper Wing, small circle above, and it must always remain in the vertical position.**

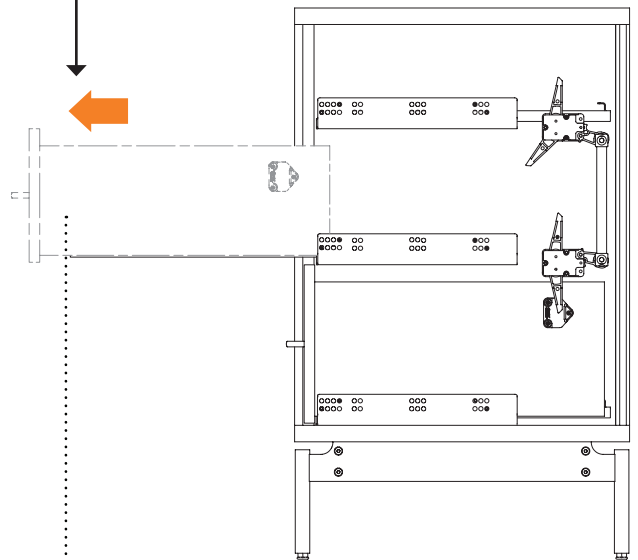
**2.** Use your hand to push back the activated wing of the Snapper to return it to the vertical position.

**1.** Open the drawer, release it from the slides, and carefully lift it up and off of the slides.

**3.** Open the next drawer, release it from the slides, and carefully lift it up and off of the slides. Repeat these steps for each drawer, working from top to bottom.



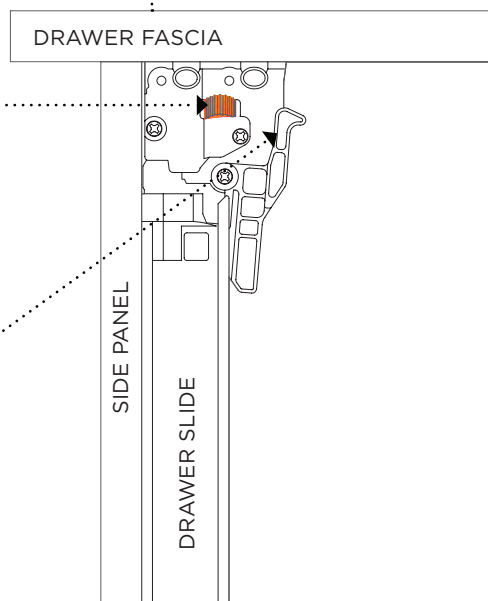
**REMOVING THE FIRST DRAWER**



**REMOVING OTHER DRAWERS**

Use the orange dial on each Drawer Slide in order to adjust the drawer up and down.

To release the Drawer, pull this lever on both Drawer Slides to unclip them, then gently pull the Drawer up and away from the Drawer Slides.

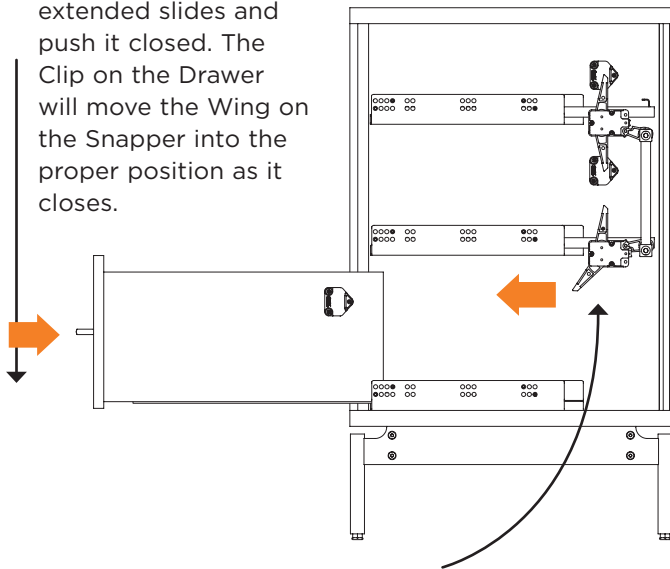


**BOTTOM VIEW OF DRAWER: DRAWER SLIDE FUNCTIONS**

**INSTALLING THE FIRST DRAWER**

Reinstall the Drawers by reversing the steps used to remove them. A Drawer can only be installed if the corresponding Wing of the Snapper is in the Forward Position prior to installation.

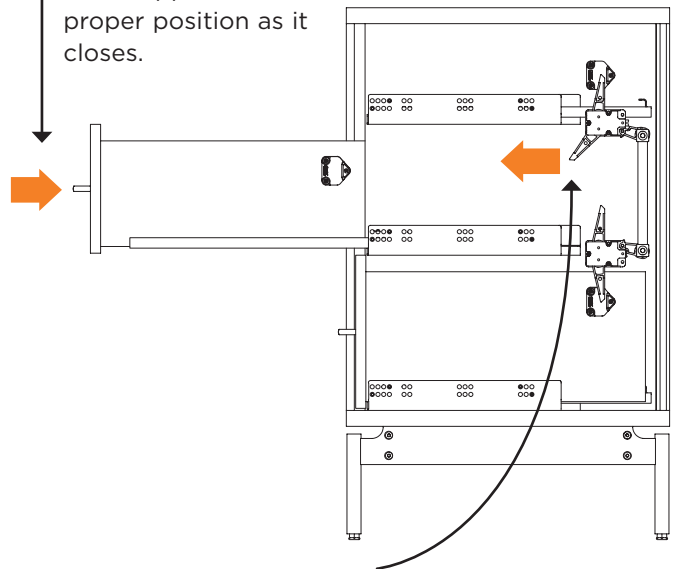
2. Carefully place the Drawer on the extended slides and push it closed. The Clip on the Drawer will move the Wing on the Snapper into the proper position as it closes.



1. Use your hand to pull forward the Wing that corresponds with the drawer being installed.

**INSTALLING OTHER DRAWERS**

4. Carefully place the next Drawer on the extended slides and push it closed. The Clip on the Drawer will move the Wing on the Snapper into the proper position as it closes.



3. Use your hand to pull forward the Wing that corresponds with the drawer being installed.

## CARE & MAINTENANCE

Your BDI furniture has been constructed with the finest materials, carefully manufactured, and designed to last a lifetime. Regular furniture care will prolong your enjoyment and keep it looking its best. Here are some general tips for taking care of BDI furniture. Your surfaces may vary.

### GLASS

Glass surfaces are maintained using household glass cleaner and a paper towel or cloth.

### SATIN-ETCHED GLASS

This uniquely smooth-to-the-touch glass surface can be regularly maintained using household glass cleaner and a paper towel or cloth.

A 'Magic Eraser' removes minor scratches or scuffs not eliminated using a paper towel or cloth. 'Magic Eraser' is a melamine foam product available at any grocery store or home improvement center. Dampen the entire glass surface and the Magic Eraser, then rub the whole surface in broad, even strokes using moderate pressure. Clean and dry the surface with a paper towel. Check for results and repeat as necessary. Any scratches or scuffing not eliminated by one of the above methods can often be addressed by 'refreshing' the glass. This process should not be required more than once per 6-12 months. See this brief video for the simple method: [www.bdiusa.com/glass](http://www.bdiusa.com/glass)

### WOOD

Wood surfaces should be cleaned with a slightly damp (not saturated) cloth or paper towel. Do not use glass cleaner on wood. If moisture remains, dry the surface with another cloth. If needed, a gentle, non-abrasive cleanser may be used, but wipe away all cleaner residue and dry the surface with a cloth.

BDI's wood finishes feature natural hardwood solids and veneers. Wood is a product of nature and—unlike man-made materials that can be manufactured to strict and consistent specifications—has natural imperfections that are part of its appeal and character. Every piece of wood differs from every other, even when coming from the very same tree. As such, grain, texture, and tone variation should be expected from one panel or piece of furniture to the next.

While BDI's stained wood finishes are stable in tone & appearance, all finishes are subject to some degree of discoloration with prolonged exposure to direct sunlight. Please avoid positioning your BDI cabinet in any area with ample direct sunlight. To learn more about the features of natural wood, visit [www.bdiusa.com/wood](http://www.bdiusa.com/wood)

### METAL, PORCELAIN, & PAINTED SURFACES

Surfaces should be cleaned with a slightly damp (not saturated) cloth or paper towel. If moisture remains, dry the surface with another cloth. If needed, a gentle, non-abrasive cleanser may be used, but be sure to wipe away all cleaner residue and dry the surface with a cloth.

## WARRANTY

BDI warrants to the original purchaser that for the below-stated warranty term, BDI will replace any product, part, or component covered by this warranty that fails under normal use as a result of a defect in material or workmanship. The decision to replace a complete product versus the part or component in question will be at BDI's sole discretion.

**Residential Use:** BDI Furnishings carry warranty coverage for three (3) years from the date of product delivery, as shown on your sales receipt/documentation. Select chairs carry coverage for five (5) years from the date of product delivery.

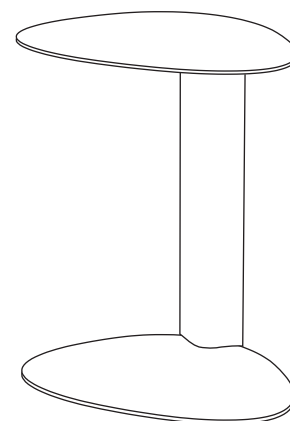
**Commercial Use:** BDI Furnishings carry warranty coverage for one (1) year from the date of product delivery, as shown on your sales receipt/documentation. Select chairs carry coverage for five (5) years from the date of the product delivery, based on an 8-hour daily use pattern.

BDI reserves the right to refine or update its warranty from time to time. See the complete and latest warranty document at [www.bdiusa.com/warranty](http://www.bdiusa.com/warranty).

## PRODUCT REGISTRATION

Registering your new BDI product allows us to send you important product updates, service information, and helpful hints related to your BDI products.

Register today, and you will be **entered to win free a BINK table** from BDI: [www.bdiusa.com/register](http://www.bdiusa.com/register)





**BDIUSA.COM**

These distinctive product configurations are protected by US and international patents, trade dress, and/or copyright laws. LINQ & BDI are trademarks of Becker Designed, Inc. All rights reserved. ©2024, BDI | V.11.26.2024

Made in Vietnam.